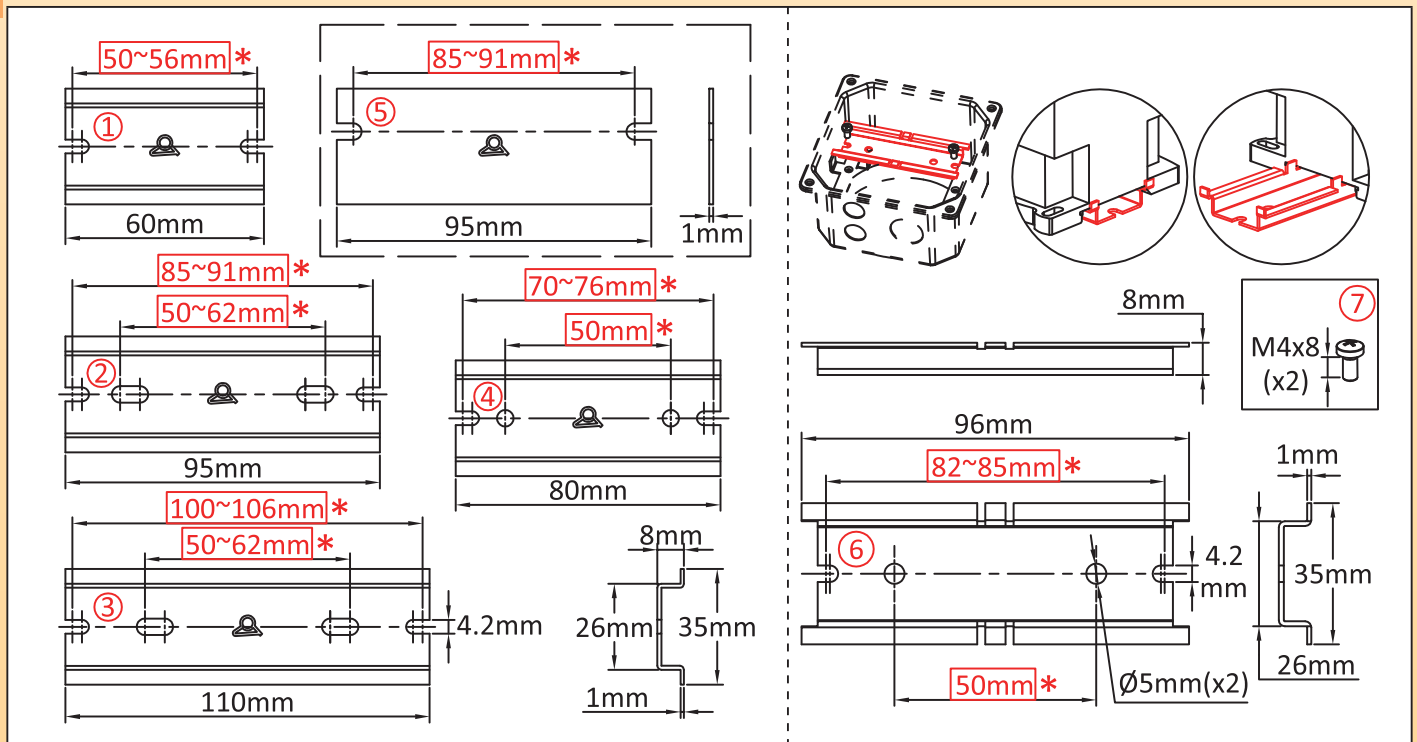
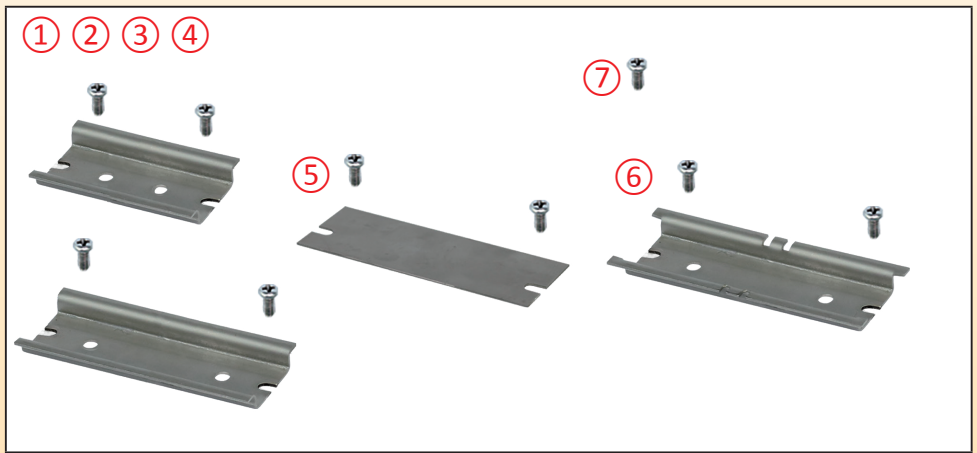


DIN rails for assembly of temperature controllers, contactors and power relays

Minimum Size	Maximum Size	Material	Type	Model
1 contacteur	2 contacteurs	304 Stainless steel	Din rail	66KD




Compatible with:		
① ② ③ ④		
<input checked="" type="checkbox"/> Y303	<input checked="" type="checkbox"/> Y3S4	<input checked="" type="checkbox"/> Y3M1
<input checked="" type="checkbox"/> Y304	<input checked="" type="checkbox"/> Y3S5	<input checked="" type="checkbox"/> Y3N1
<input checked="" type="checkbox"/> Y305	<input checked="" type="checkbox"/> Y3P1	<input checked="" type="checkbox"/> Y3N2
<input checked="" type="checkbox"/> Y306	<input checked="" type="checkbox"/> Y3P3	<input checked="" type="checkbox"/> Y3N3
<input checked="" type="checkbox"/> Y307	<input checked="" type="checkbox"/> Y3P5	<input checked="" type="checkbox"/> Y3N4
<input checked="" type="checkbox"/> Y3S3	<input checked="" type="checkbox"/> Y3C4	
⑤		
<input checked="" type="checkbox"/> Y3N1	<input checked="" type="checkbox"/> Y3N2	<input checked="" type="checkbox"/> Y3N3
<input checked="" type="checkbox"/> Y3N4		
⑥		
<input checked="" type="checkbox"/> Y3TB	<input checked="" type="checkbox"/> Y3TC	<input checked="" type="checkbox"/> Y3T8
<input checked="" type="checkbox"/> Y3TA		



Main references

① + ⑦	66KD3I0000000000
② + ⑦	66KD4I0000000000
③ + ⑦	66KD5I0000000000
④ + ⑦	66KD6I0000000000
⑤ + ⑦	66KD1I0000000000
⑥ + ⑦	66KD2I0000000000

Links

	Page (.pdf)
	Drawing 2D (.dwg)
	Drawing 3D (.stp)

Red dimensions inside rectangular frames on drawings are used for assembly on enclosures or on fittings.

